



---

# PSS 5000 Software Development Kit

---

When you need to interface your system to a PSS via the Doms' protocols

---



Building Better Business



## Features

- Complete hardware and software package
- Simulators and diagnostic tools included
- Full documentation describing equipment, communication protocols and best practices
- Online training with instruction and purpose made materials
- Up to 20 hours of online support included

## Benefits

- Create a virtual filling station in controlled laboratory conditions
- Understand PSS 5000 forecourt control functionality before starting development
- More effective use of your time
- Introduce new ideas and concepts gradually without risk
- Easy modelling possibilities
- Personal relationship with Doms team

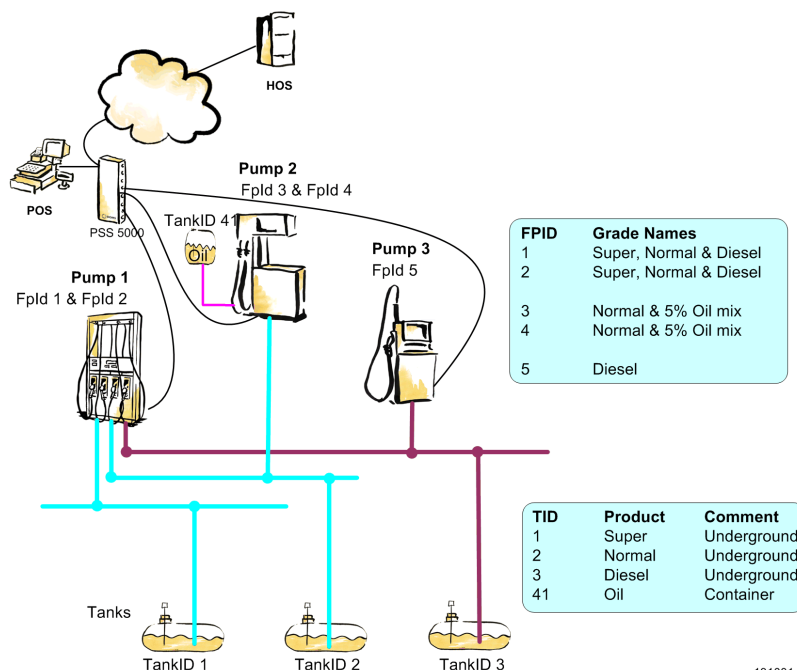
## Workshops

In addition to our standard online training, it is possible to arrange a classroom-lead workshop session that provides hands-on experience in our extensive laboratory facilities; these include forecourt devices from manufacturers from all over the world.

Gaining this experience in a controlled environment results in you being more comfortable with the PSS 5000 (as well as forecourt automation) and means that subsequently when developing software for the controller, you are more confident, less likely to make mistakes and, ultimately, more efficient.

## Why use a Software Development Kit

When you need to interface your POS and/or HOS to a PSS 5000 via the Doms' protocols, the software development package enables you to create a virtual filling station in a laboratory environment. This provides the basic functionality of a real filling station and allows you to understand the functionality of the PSS 5000, the requirements of a forecourt, and the parameters that need configuring. This ensures that you benefit from the embedded business logic in the PSS 5000 controller. In addition to this, it enables you to develop new features in a safe environment, evaluate new applications and test their implementation before deploying them on a real site.



131001

## Obtaining the SDK

The SDK is available by contacting [sales@doms.dk](mailto:sales@doms.dk). When doing so, please provide the following information:

- Company name and contact details (address, telephone number, registration number)
- Total number of persons employed (specifying how many of these are software developers)
- In which countries you intend to install the PSS 5000 with your POS
- Number of filling stations where your POS is currently installed (if any)

Once we have received this information, we will send you a Terms of Use Agreement (NDA), which you must sign and return to us. We will then be able to provide you with a quote for the SDK and, if required, arrange with you a suitable date for your participants' training, which will be tailored towards developers or technicians needs.